



OPTOELECTRONICS

Group Phone List

September 2011

Postal Address:
 Cavendish Laboratory
 J J Thomson Avenue
 CAMBRIDGE CB3 0HE
 Fax (01223) 764515
 MRC Fax (01223) 337706

OE Group Secretaries	Jean Phillips, Gillian Walker	37313 / 68145	K 32A
ME Group Secretary	Emily Heavens	37556	Office M209
NP Group Secretary	Angela Campbell / CJ	60945	K 32A

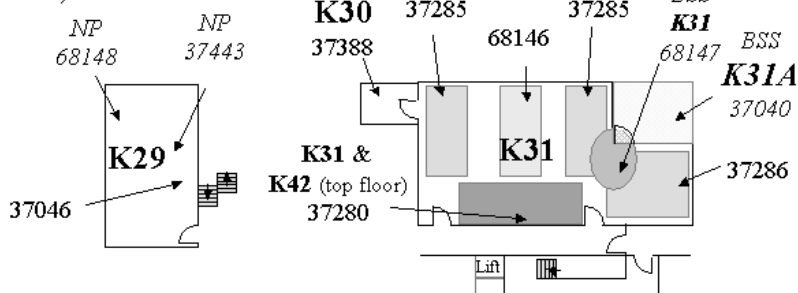
37557	M208	Henning Sirringhaus	37218	K 32	Richard Friend
66301	K 33	Neil Greenham	37050	K 34	Jenny Clark
37327	M210	Howard Hughes	37050	K 34	Anoop Dhoot
37288	K 26	Abe Yoffe			

37264	K 27	Richard Gymer	64779	M113C	Roger Beadle
37492	M209	Radoslav Chakalov	37443	K 29	Anthony Barnett
37078/ 46754	K27/ Mott 328	Alex Crook	68149	K9	Colin Edwards

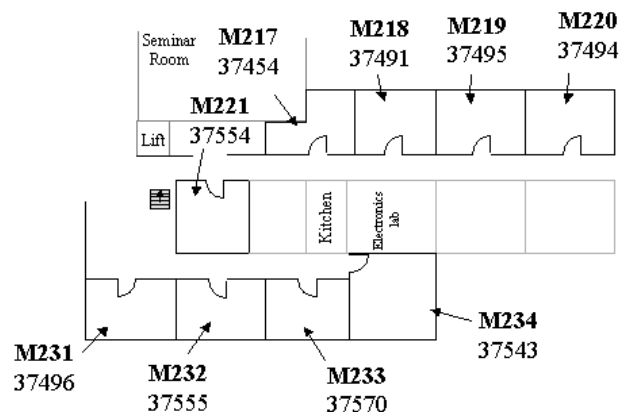
37493 / 46641 M211 Student office

Kapitza Building K29, 30, 31, 31A

OE, NP and BSS offices



Selected MRC building offices



37573	MRC entrance / SEM	37075	Kapitza entrance
37560	Fast Lab M128	64928	M115 Chemical room
39688	M118 photolith cleanroom	64929	M119 O ₂ plasma
39588	M120 inkjet gloveboxes	37559	M131 Raman lab
37075	K8 Photovoltaics lab	37561	M131A Optigain laser lab
37079	K12 PV3 lab	37576	Hitachi Cambridge Laboratory
60314	Sue Gymer (Nano safety)	60308	Dave Roberts (Nano manager)
60304	Nanoscience enquiries	60329	Nanoscience Cleanroom Bay 4
(9) 370122	Plastic Logic [fax (9) 370121]	(9) 01954 713600	CDT [fax (9) 01954 713620]
(9) 437437	Eight19		
NP Group Labs	NP Kapitza	NP Bragg	
	Lab 1 37039	Lab 5 61666	
	Lab 2 37045	Lab 6 61667	
	Lab 3 37037	Lab 7 61668	
	Lab 4 65125	Lab 8 61665	
NP Shared Offices	Kapitza K29 30743	Bragg 170e 61671	Bragg 170f (NanoDTC) 61669
			Bragg 184 46941